

# LOWDECK

FINALLY TIMBER BEARERS & JOISTS  
MADE FOR **ULTRA LOW** DECKS.

**H4**

ON GROUND  
APPROVED

**GL8**

STRUCTURAL  
STRENGTH

**2x**

PRIMER  
SEALED

**50**

YEAR TREATMENT  
GUARANTEE\*

**NEW** Darker Colour  
+ Bigger Spans

\*50 Year Limited Warranty on Koppers MicroPro® Wood Treatment Technology against rot & insect attack.



# Why use LOWDECK?

Framing timbers on the ground or lower than 150 mm should be termite resistant and in-ground durability Class 1 or treated to **H4 or better**.

(Source: Technical Design Guide - Forest & Wood Products Australia - Domestic Timber Deck Design)



Treated to H4 with Koppers Micro® Timber Treatment Technology, Lowdeck is protected from fungal decay, termites and insect attack. Suitable for on ground use and supported by a treatment warranty of 50 years.

Engineered GL8 structural grade (roughly F7 equivalent) and double sealed with a high-quality oil-based primer to provide further protection.

LOWDECK is an affordable, easy to work with alternative to steel or aluminium and is a smart upgrade from regular H3 Treated pine joists.



These environmental certifications have been awarded to Koppers MicroPro® Wood Treatment

## LOWDECK is made to last.

### Joist & Bearer Sizes

SIZES - H4 GL8 Double Primed	3.6m	4.2m	4.8m	5.4m	6.0m
30 x 44 LOWDECK H4 Joists	●			●	
44 x 44 LOWDECK H4 Joists	●			●	
68 x 44 LOWDECK H4 Joists	●		●	●	●
88 x 44 LOWDECK H4 Joists	●		●	●	●
138 x 44 LOWDECK H4 Joist/Bearer	●		●	●	●
188 x 44 LOWDECK H4 Joist/Bearer	●		●	●	●
88 x 65 LOWDECK H4 Joist/Bearer	●		●	●	●

### NEW Posts Sizes

SIZES - H4 GL8 Double Primed	3.6m	4.2m	4.8m	5.4m	6.0m
88 x 88 LOWDECK H4 Posts	●			●	
115 x 115 LOWDECK H4 Posts	●			●	

1 GL8 grade timber used (refer to NZS3604) 2 Timber treatment H4 (dry in service)  
3 Deck supporting up to 25mm thick timber decking Full span information is available on request.

### Joist Spans

Residential - Continuous across 2 or more spans			
Maximum span - Live Load 2.0kPa / N2 W33			
Size	Deck joist spacing		
	300	400	450
44 x 44	650	600	550
68 x 44	1200	1100	1000
88 x 44	1600	1500	1400
138 x 44	2500	2350	2200

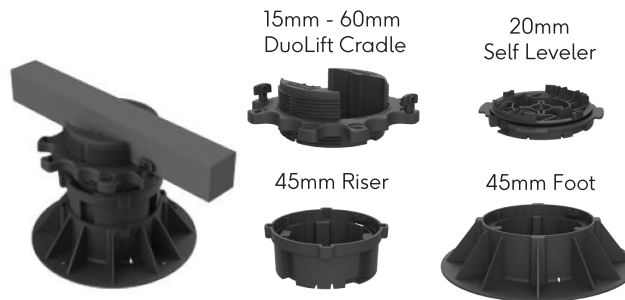
Commercial - Continuous across 2 or more spans			
Maximum span - Live Load 4.0kPa / N2 W33			
Size	Deck joist spacing		
	300	400	450
44 x 44	600	550	500
68 x 44	1100	1000	950
88 x 44	1400	1300	1200
138 x 44	2300	2100	1950

## DuoLift®

### Combine with DuoLift Modular Joist Cradles

#### Joist Cradles & Pedestals

- 15mm - 60mm DuoLift Joist Cradle
- 20mm DuoLift Self-Levelling Joint
- 45mm DuoLift Riser
- 45mm DuoLift Joist Foot
- 3mm DuoLift Acoustic Separation Pad



### Get the full Spans & Specifications

Scan or visit the website to see installation guides, full span tables including residential & commercial loadings.

